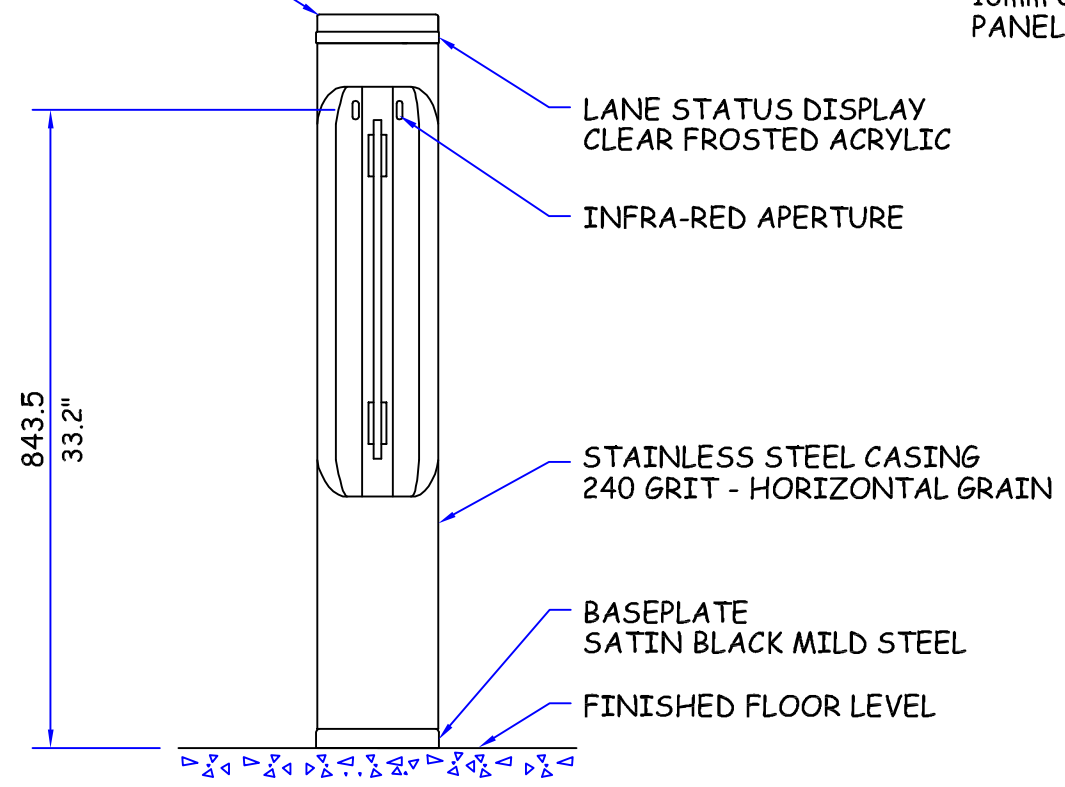
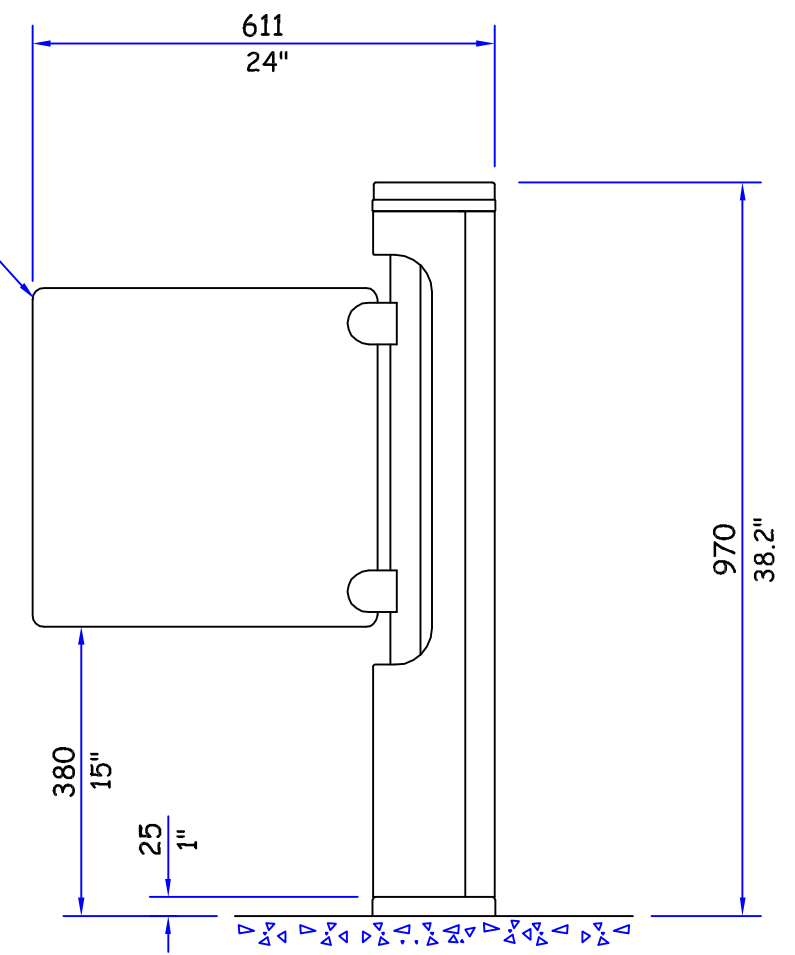


ST/STEEL DECORATIVE TOP
240 GRIT - GRAINED



SIDE VIEW

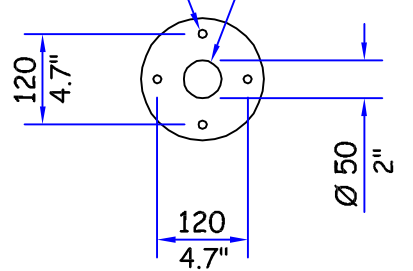
10mm CLEAR TOUGHENED GLASS
PANEL - TO BS 6206



END VIEW

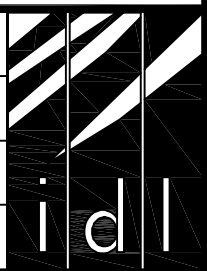
4 FIXING HOLES 12 DIA (0.47")
FOR M10 (3/8") FIXINGS
SUITABLE FOR FLOOR

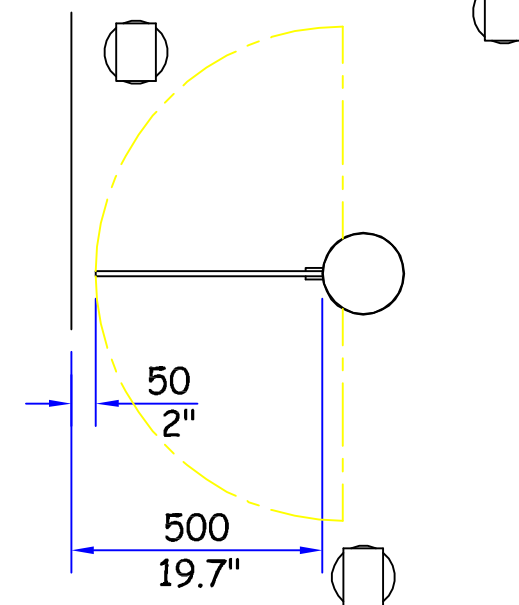
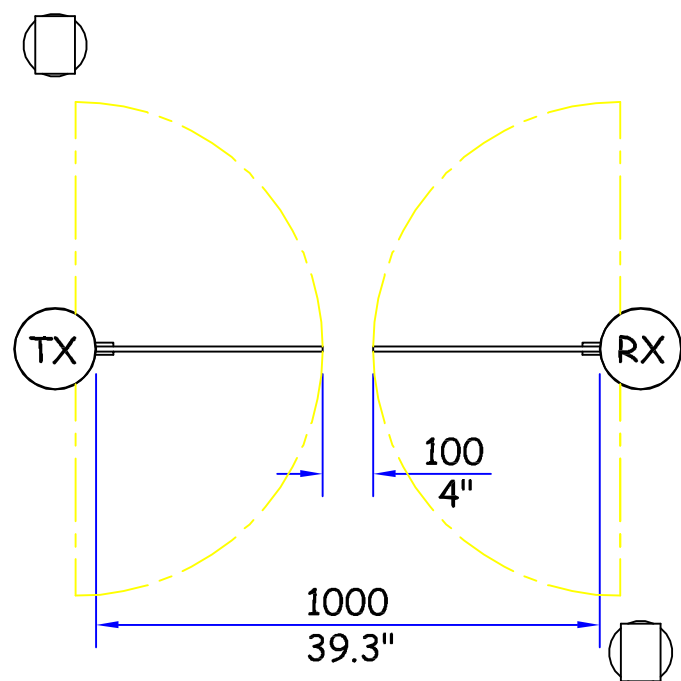
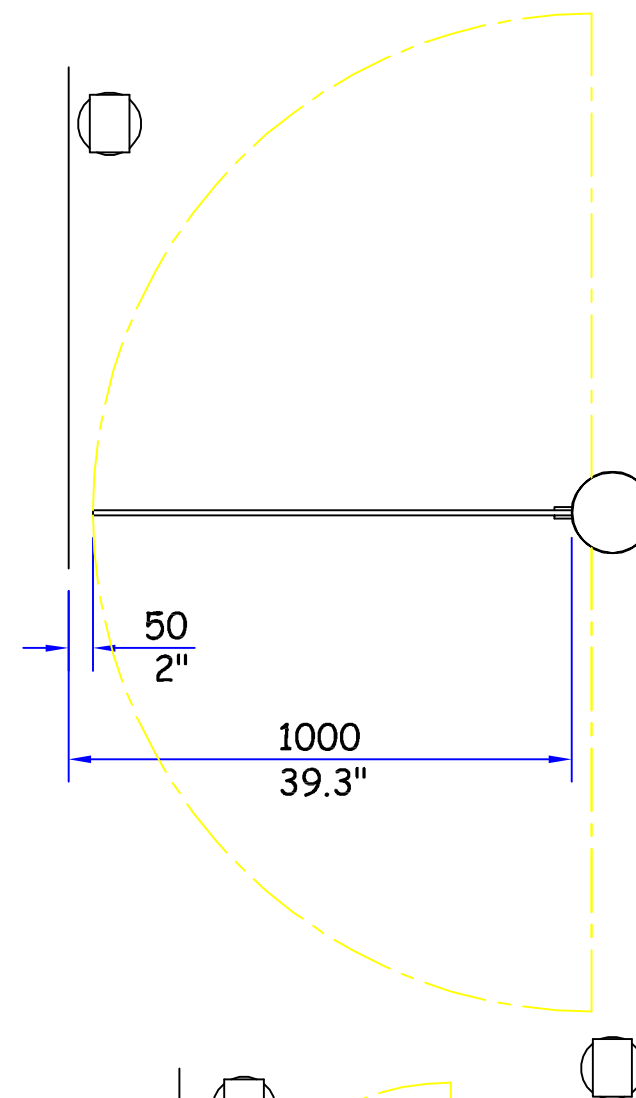
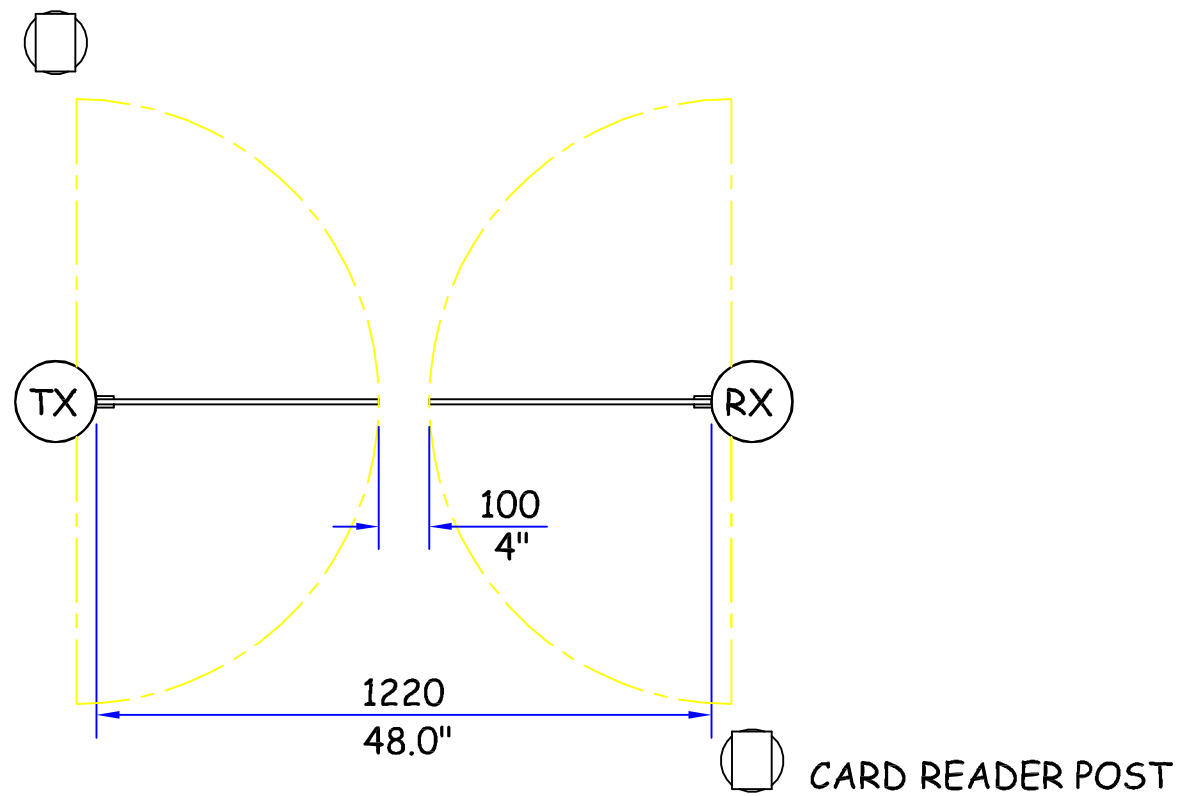
CABLE CONTAINMENT ACCESS HOLE




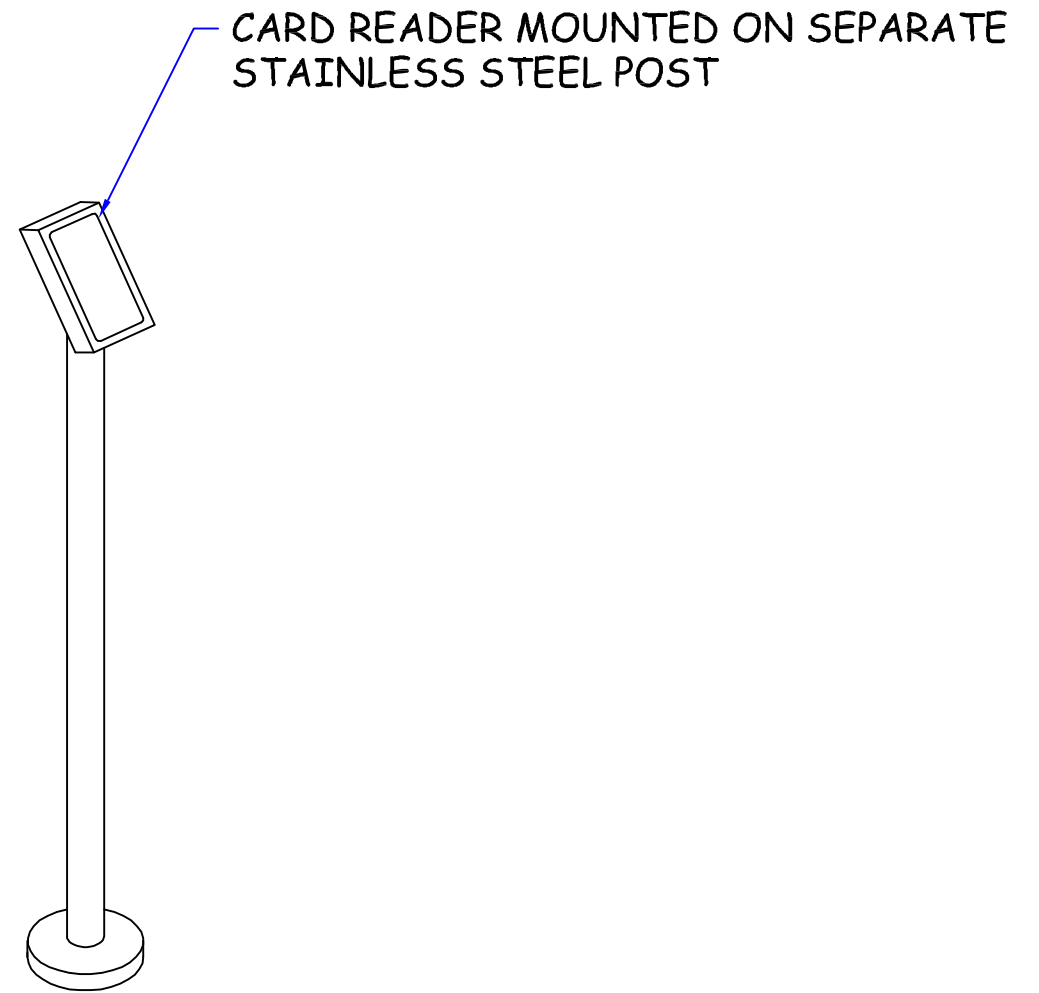
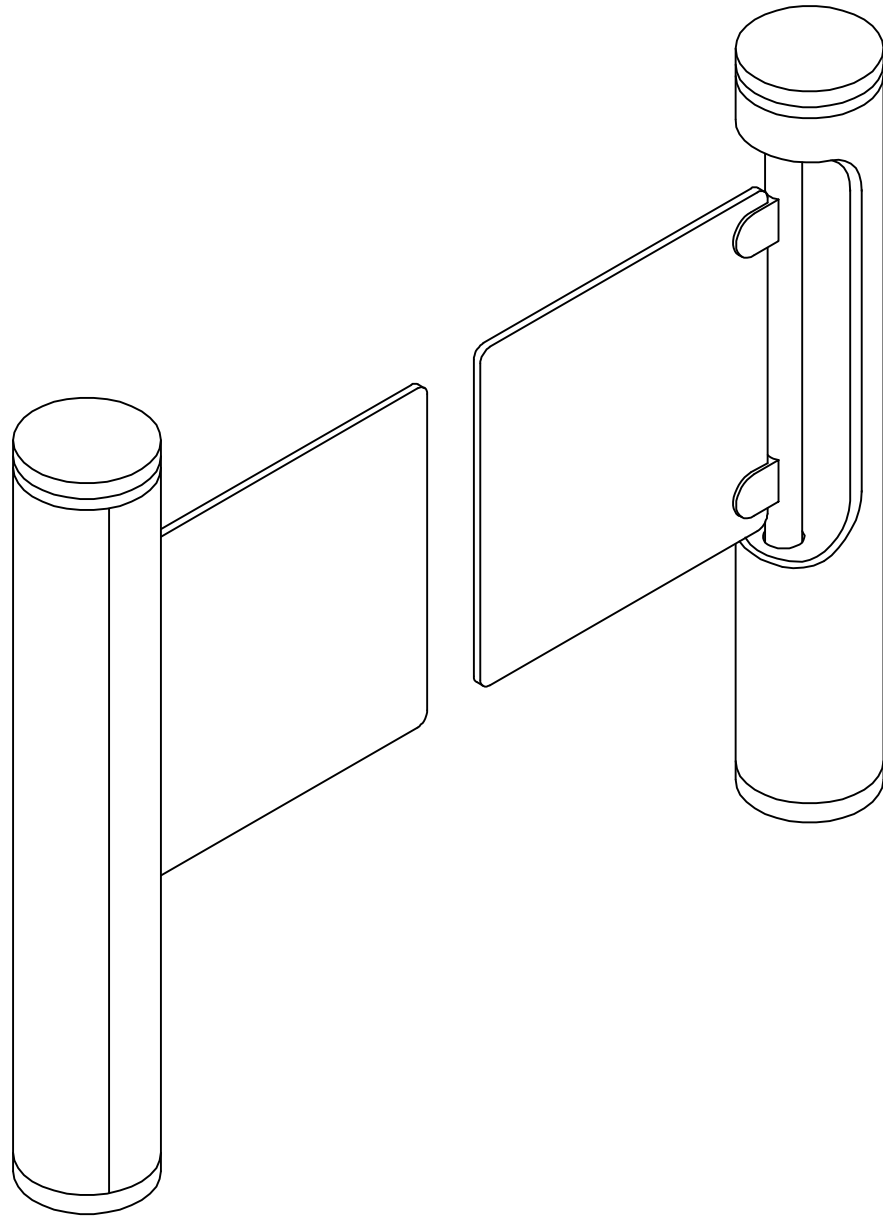
BASE VIEW
(VIEWED FROM ABOVE)

PRODUCT: PASSGATE/INTELLIGATE	
TITLE: GENERAL DIMENSIONS	
DRAWN: RST	DRAWING No: S665_250_A2
DATE: 3.2.06	This document is the copyright of Integrated Design Ltd

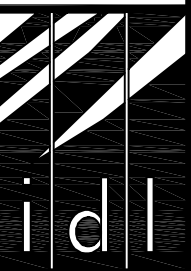


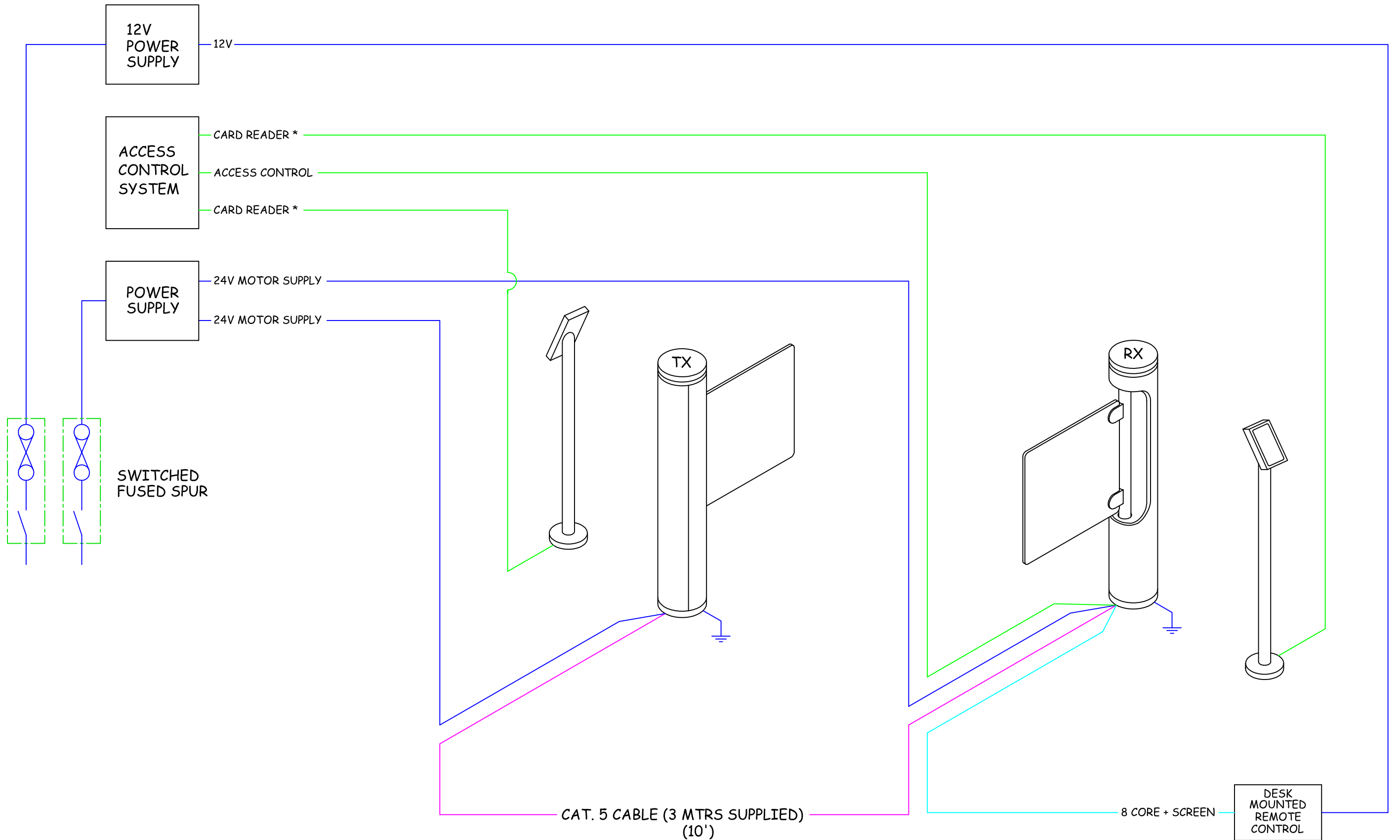


PRODUCT: PASSGATE/INTELLIGATE		
TITLE: LAYOUT OPTIONS		
DRAWN: RST	DRAWING No: S665_251_A2	
DATE: 3.2.06	This document is the copyright of Integrated Design Ltd	

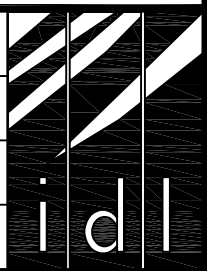


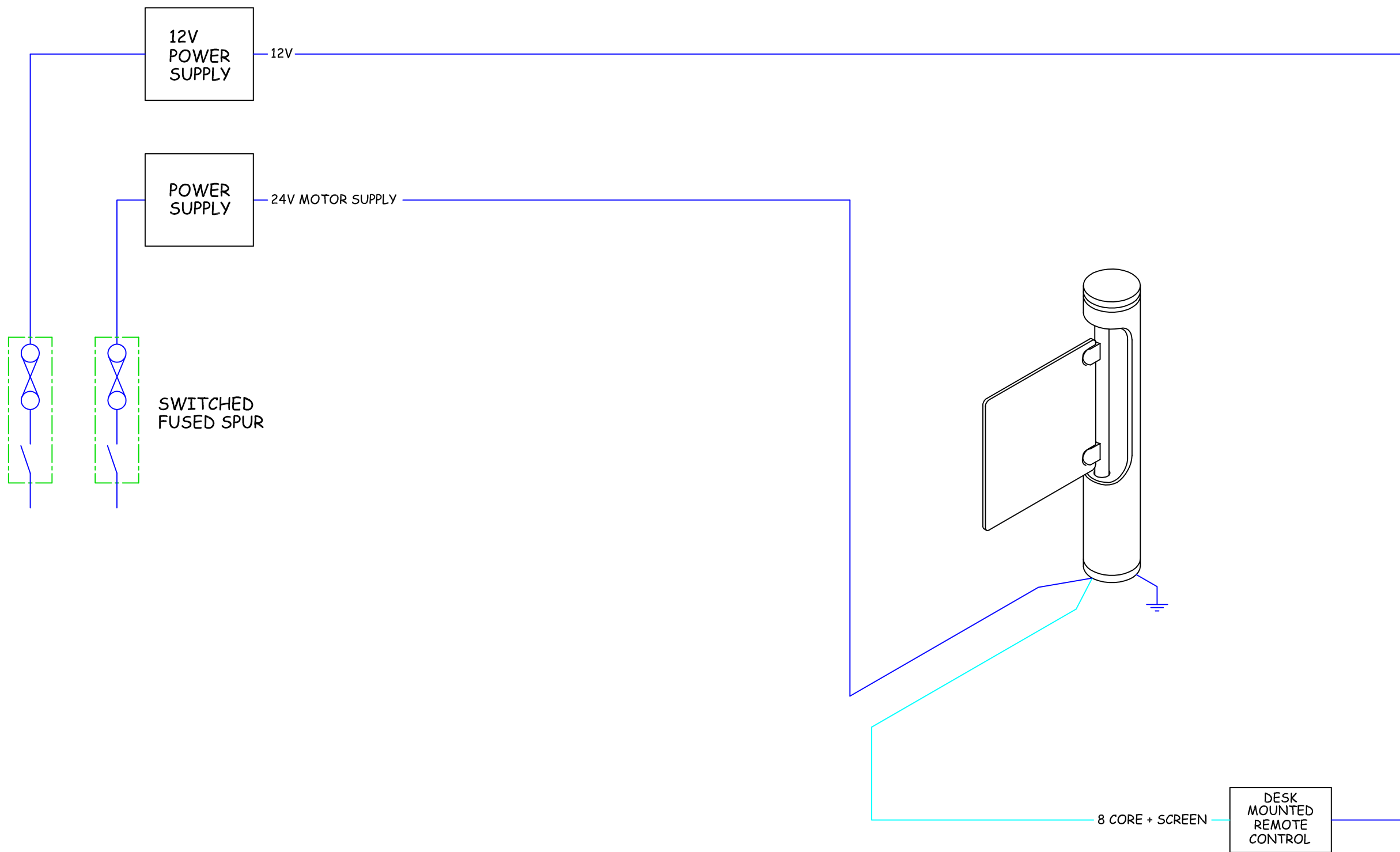
PRODUCT: INTELLIGATE	
TITLE: CARD READER MOUNTING	
DRAWN: RST	DRAWING No: S665_254_A0
DATE: 3.2.06	This document is the copyright of Integrated Design Ltd

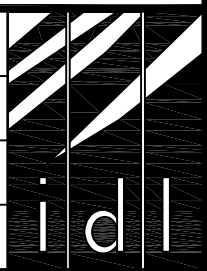




PRODUCT: INTELLIGATE	
TITLE: CABLING REQUIREMENTS	
DRAWN: RST	DRAWING No: S665_257_A0
DATE: 10.5.05	This document is the copyright of Integrated Design Ltd





PRODUCT: PASSGATE		
TITLE: CABLING REQUIREMENTS		
DRAWN: RST	DRAWING No: S665_258_A0	
DATE: 10.5.05	This document is the copyright of Integrated Design Ltd	