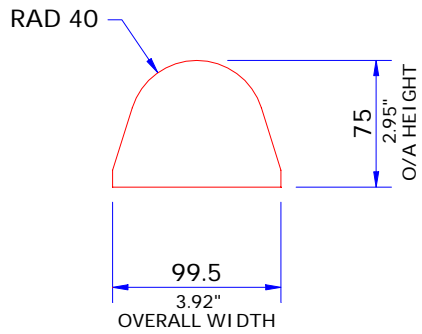
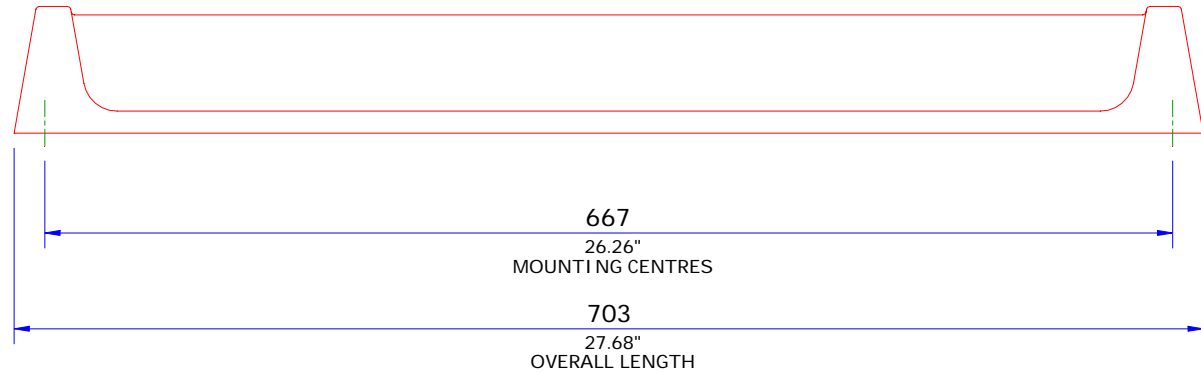


TOP VIEW



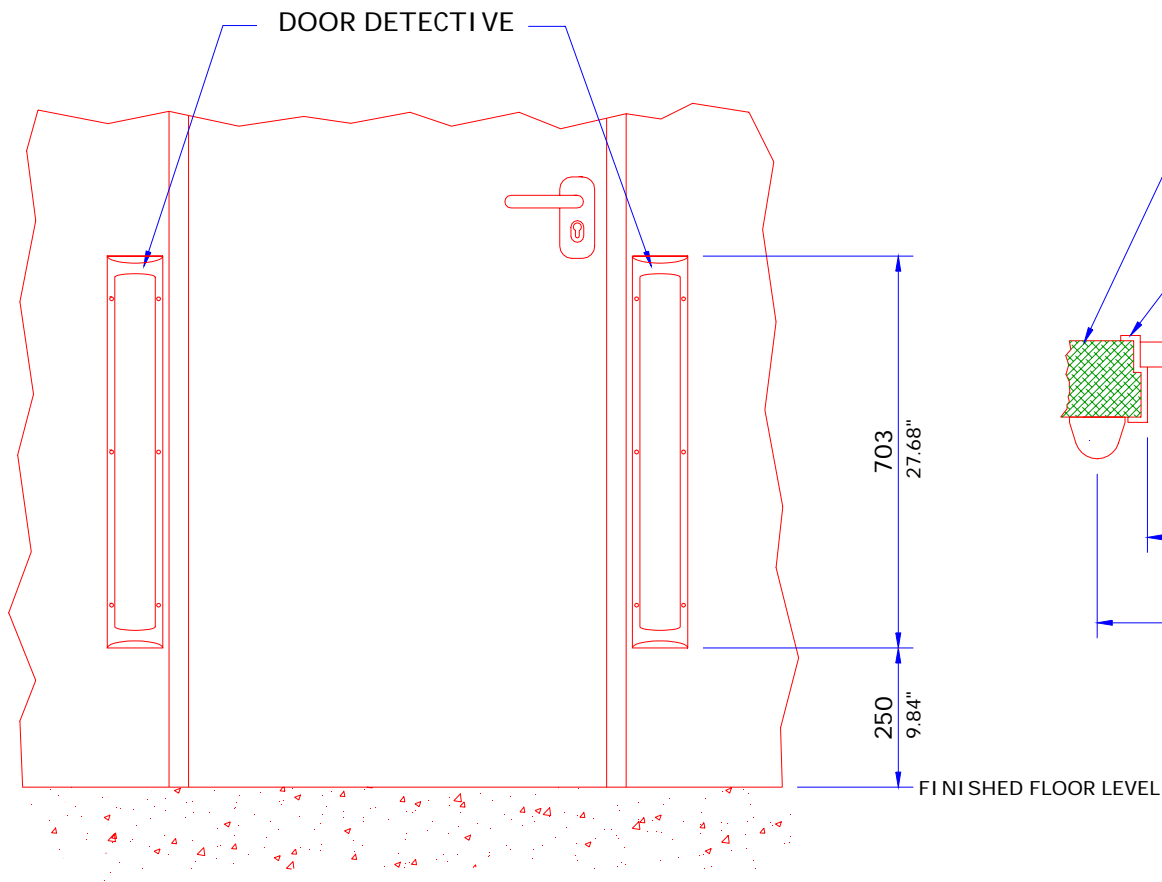
PLAN VIEW



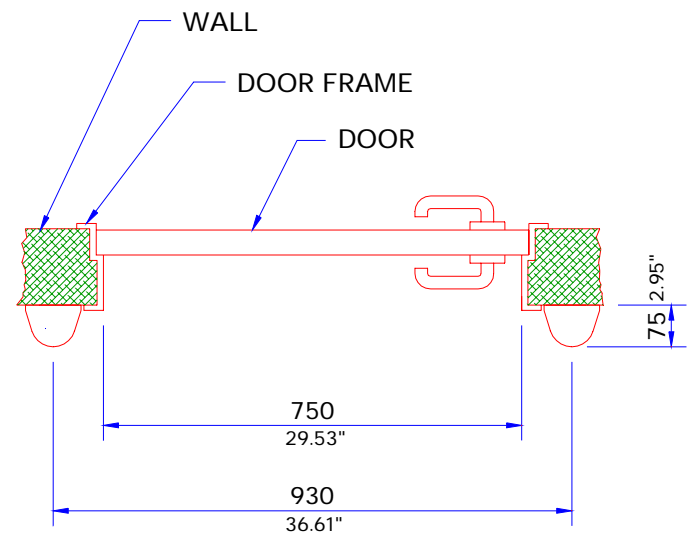
SIDE VIEW

PRODUCT: DOOR DETECTIVE - EXTERIOR	
TITLE: GENERAL DIMENSIONS	
DRAWN: RST	DRAWING No: S665_140_A0
DATE: 12.9.03	This document is the copyright of Integrated Design Ltd





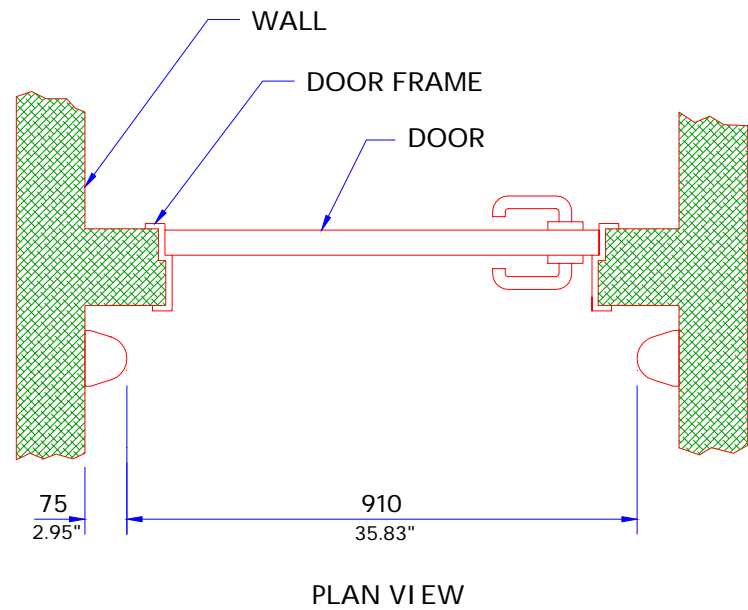
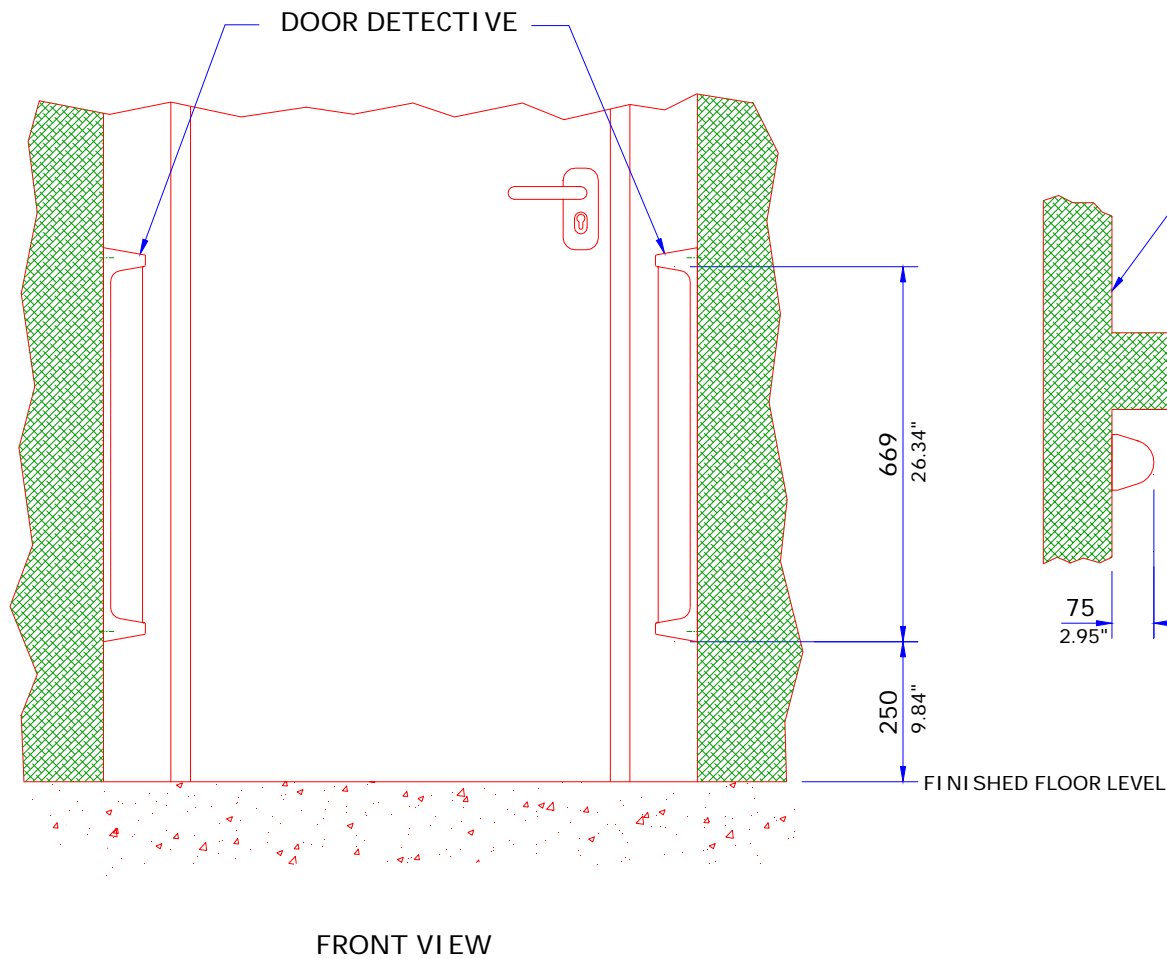
FRONT VIEW



PLAN VIEW

PRODUCT: DOOR DETECTIVE - EXTERIOR	
TITLE: GENERAL LAYOUT - DOOR MOUNTED	
DRAWN: RST	DRAWING No: S665_141_A0
DATE: 12.9.03	This document is the copyright of Integrated Design Ltd

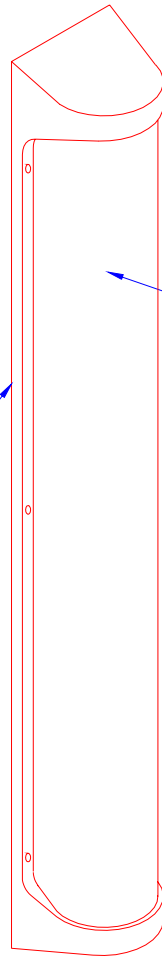




PRODUCT: DOOR DETECTIVE	
TITLE: GENERAL LAYOUT - WALL MOUNTED	
DRAWN: RST	DRAWING No: S665_142_A0
DATE: 12.9.03	This document is the copyright of Integrated Design Ltd



REAR MOUNTING BRACKET -  
BLACK ANODIZED ALUMINIUM



OUTER COWLING - PERSPEX 962

PRODUCT: DOOR DETECTIVE - EXTERIOR

TITLE: MATERIAL SPECIFICATIONS

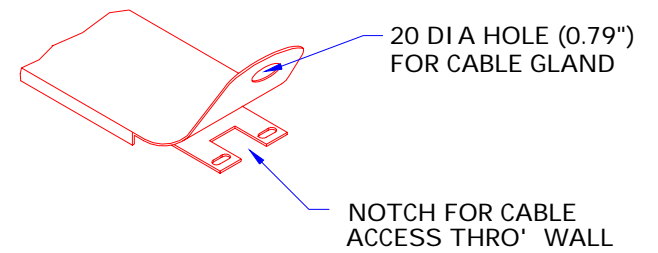
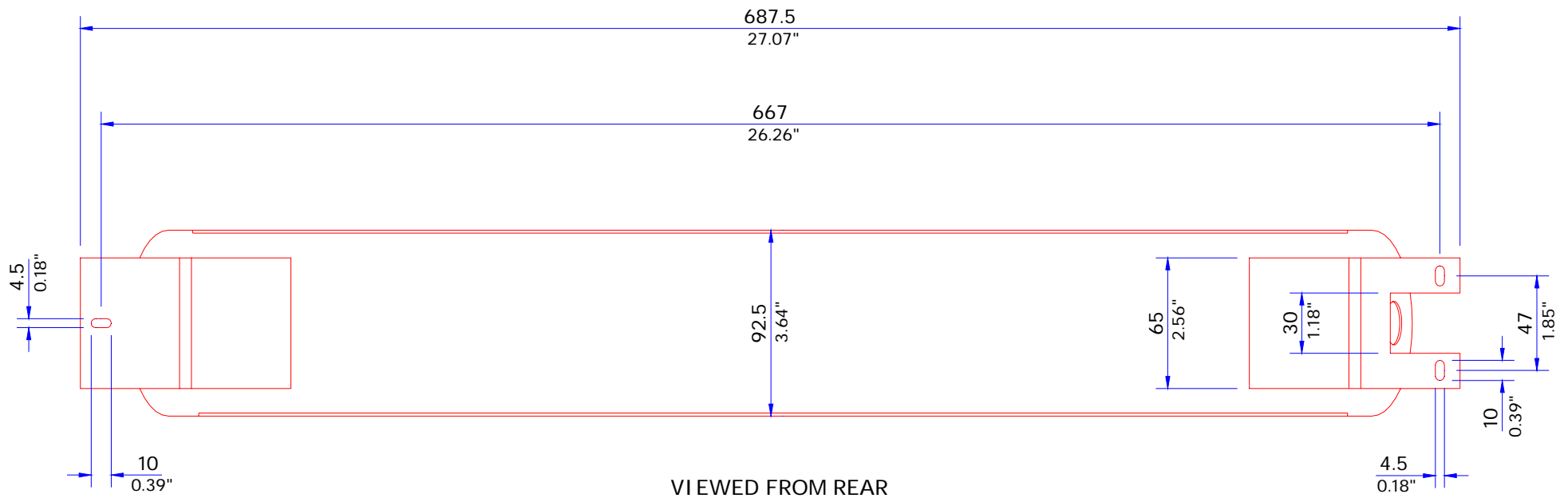
DRAWN: RST

DRAWING No: S665\_143\_A0

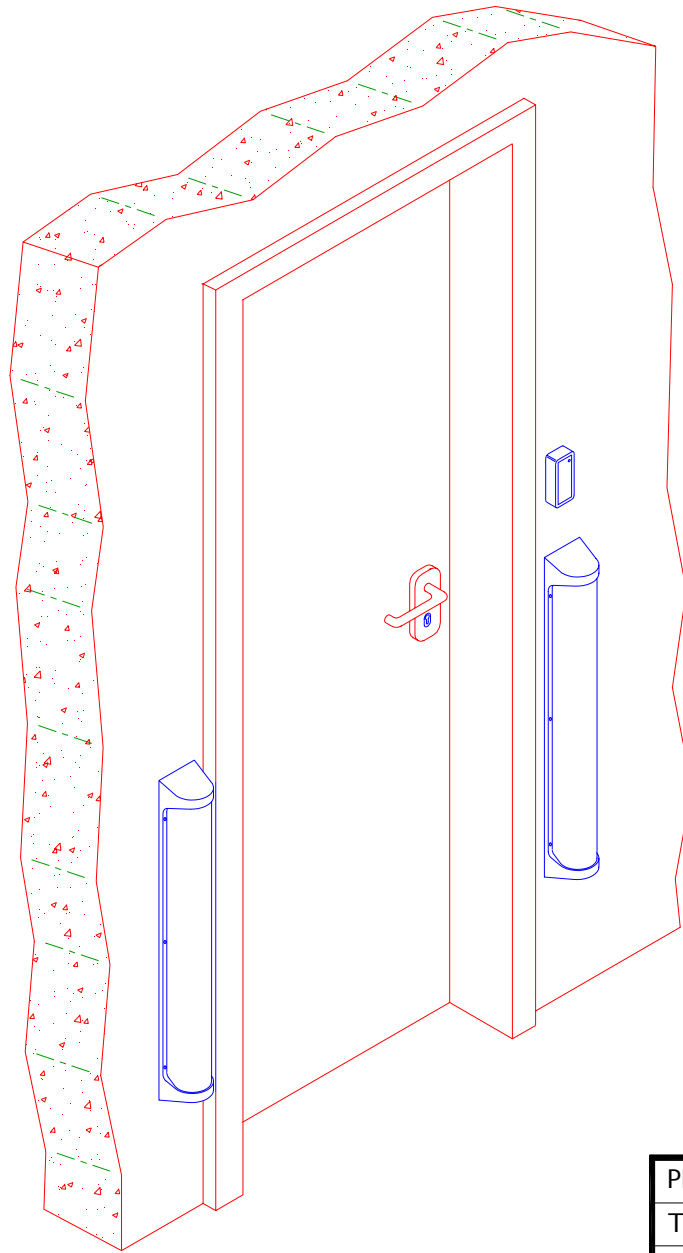
DATE: 12.9.03

This document is the copyright of  
Integrated Design Ltd





PRODUCT: DOOR DETECTIVE - EXTERIOR		
TITLE: MOUNTING DIMENSIONS		
DRAWN: RST	DRAWING No: S665_144_A0	
DATE: 12.9.03	This document is the copyright of Integrated Design Ltd	



PRODUCT: DOOR DETECTIVE - EXTERIOR

TITLE: TYPICAL INSTALLATION

DRAWN: RST

DRAWING No: S665\_145\_A0

DATE: 12.9.03

This document is the copyright of  
Integrated Design Ltd

