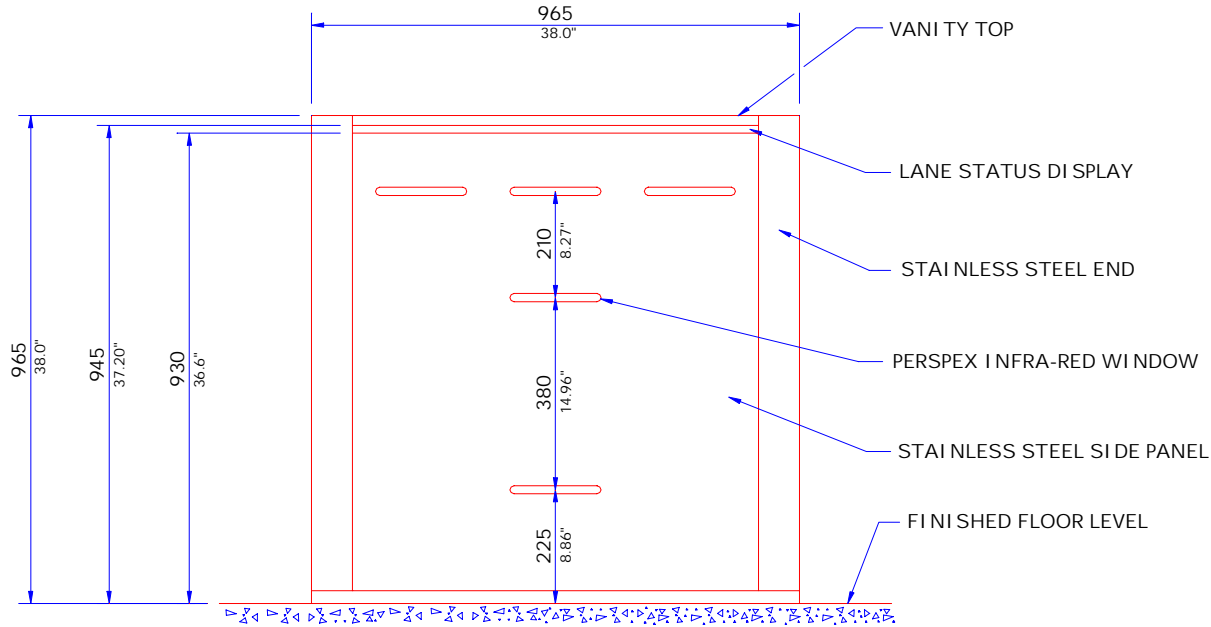
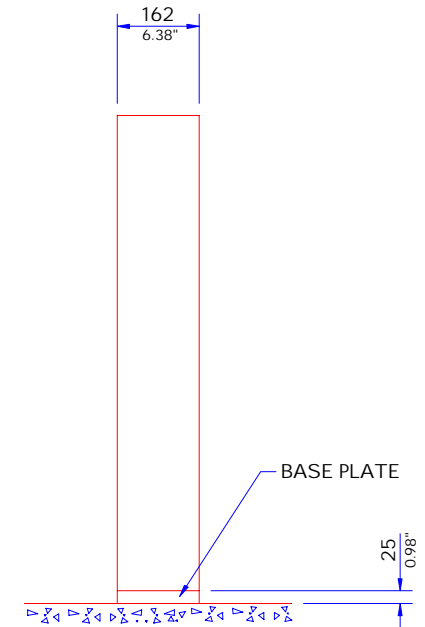


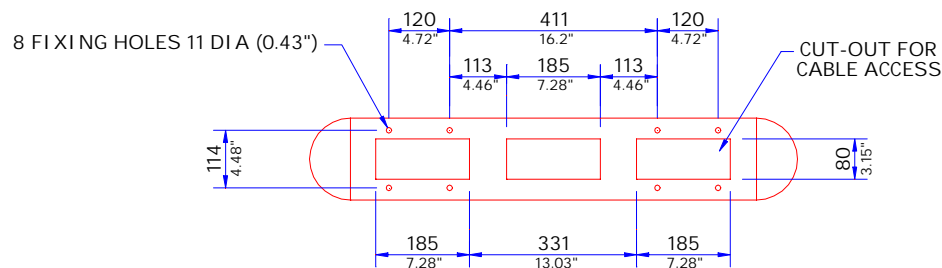
TOP VIEW



SIDE VIEW

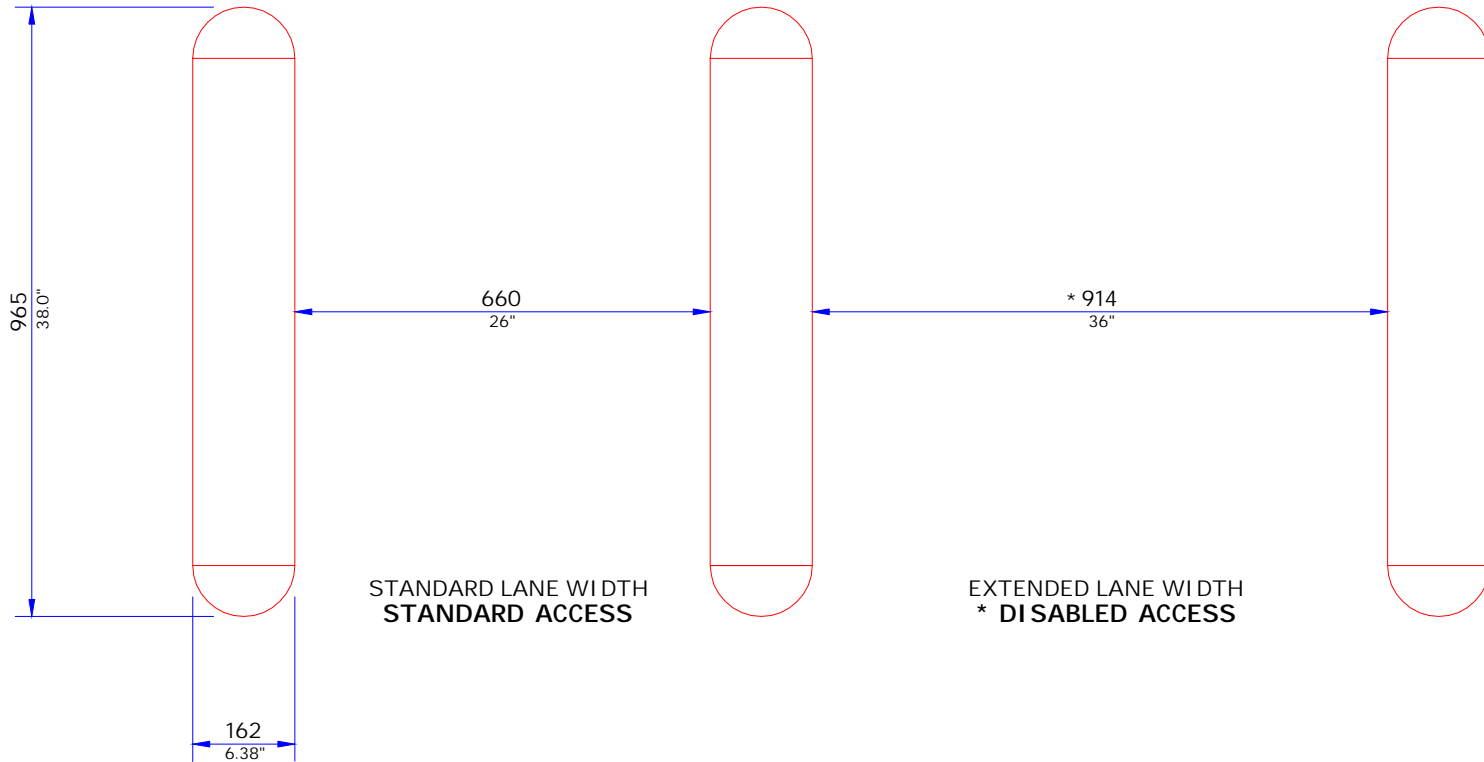


END VIEW



BASE VIEW
(VIEWED FROM ABOVE)

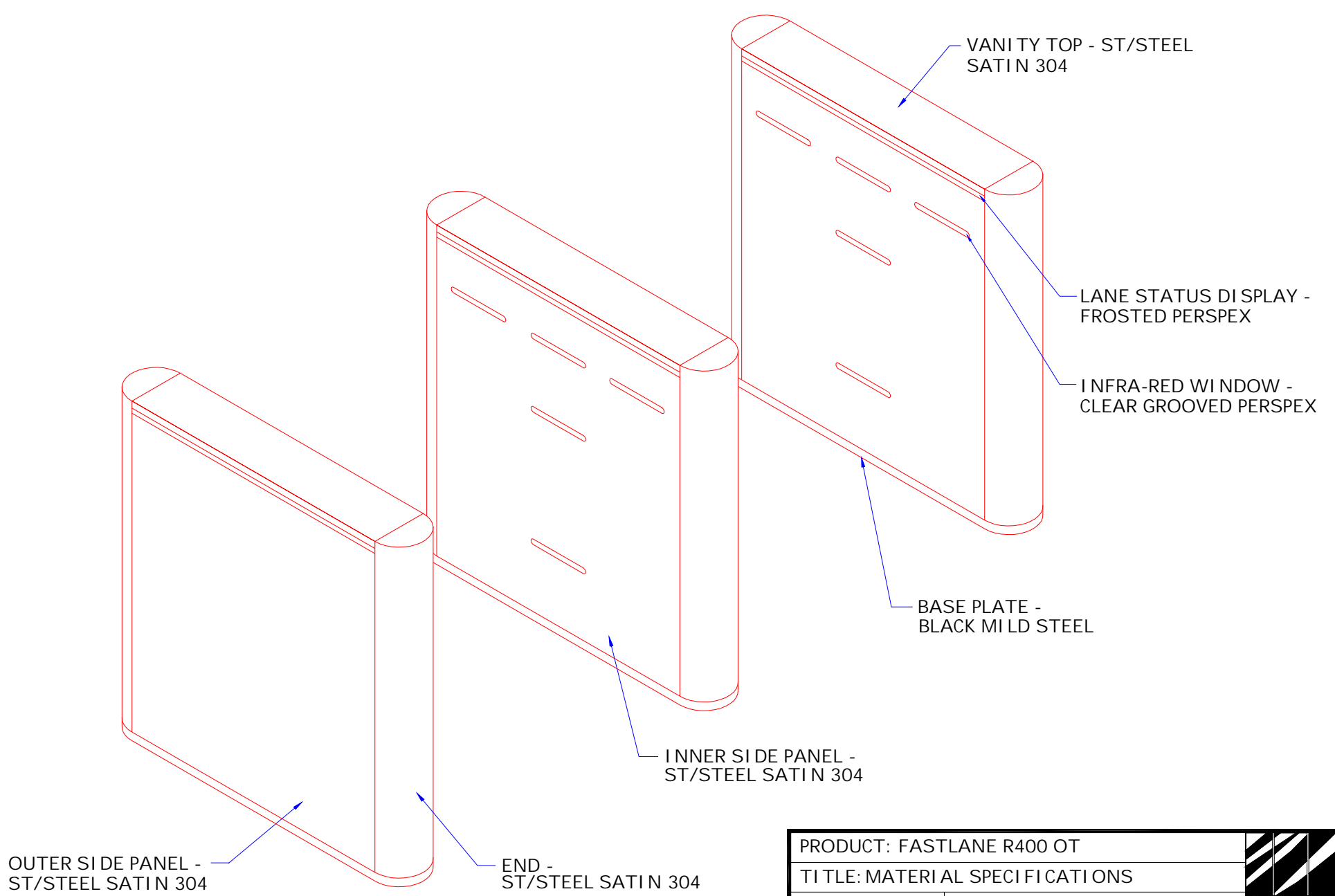
PRODUCT: FASTLANE R400 OT		
TITLE: GENERAL DIMENSIONS		
DRAWN: RST	DRAWING No: S665_90_A0	
DATE: 8.5.03	This document is the copyright of Integrated Design Ltd	



* SUBJECT TO LOCAL LEGISLATION

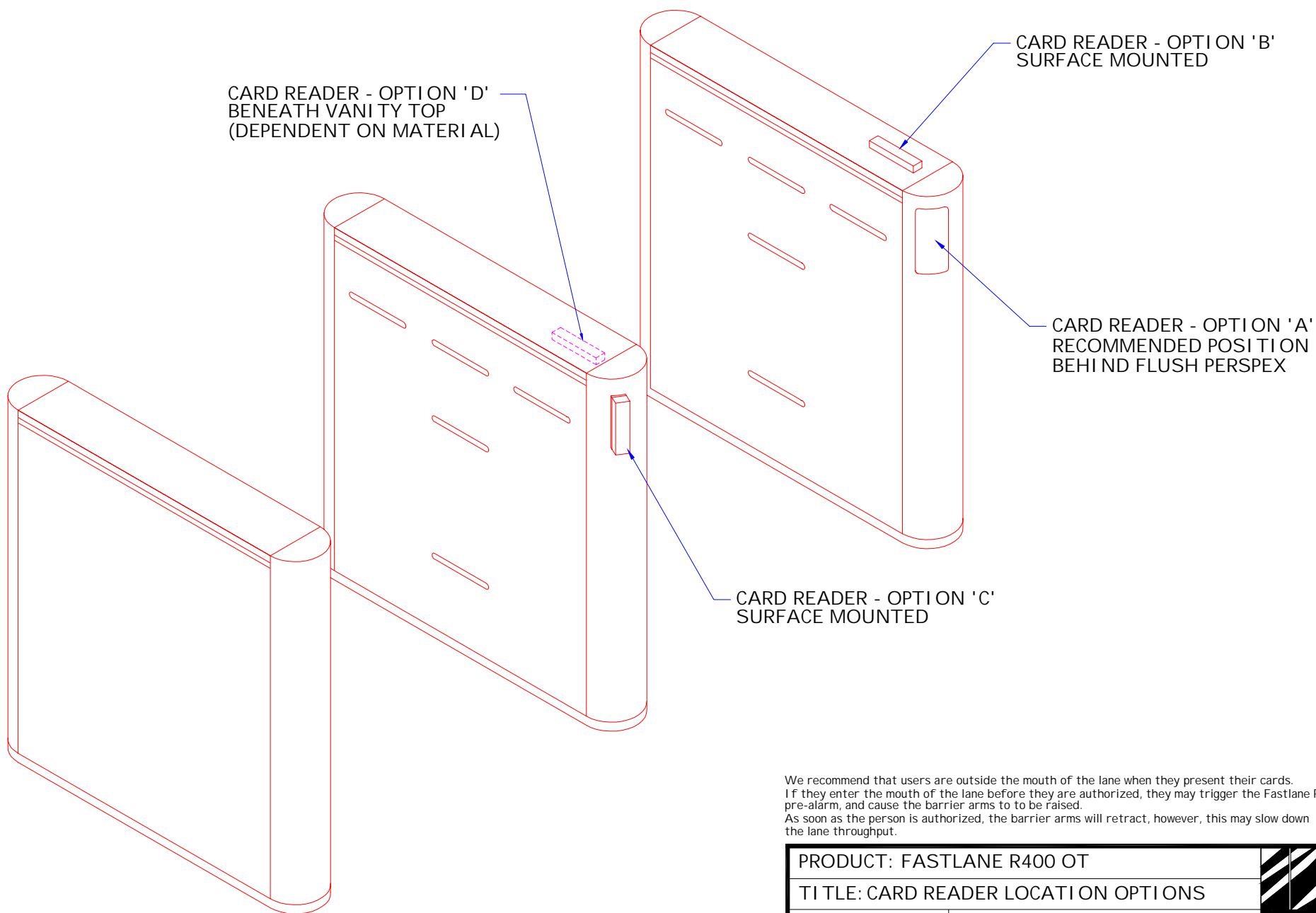
PRODUCT: FASTLANE R400 OT	
TITLE: GENERAL LAYOUT	
DRAWN: RST	DRAWING No: S665_91_A0
DATE: 13.6.03	This document is the copyright of Integrated Design Ltd





PRODUCT: FASTLANE R400 OT	
TITLE: MATERIAL SPECIFICATIONS	
DRAWN: RST	DRAWING No: S665_93_A0
DATE: 13.6.03	This document is the copyright of Integrated Design Ltd

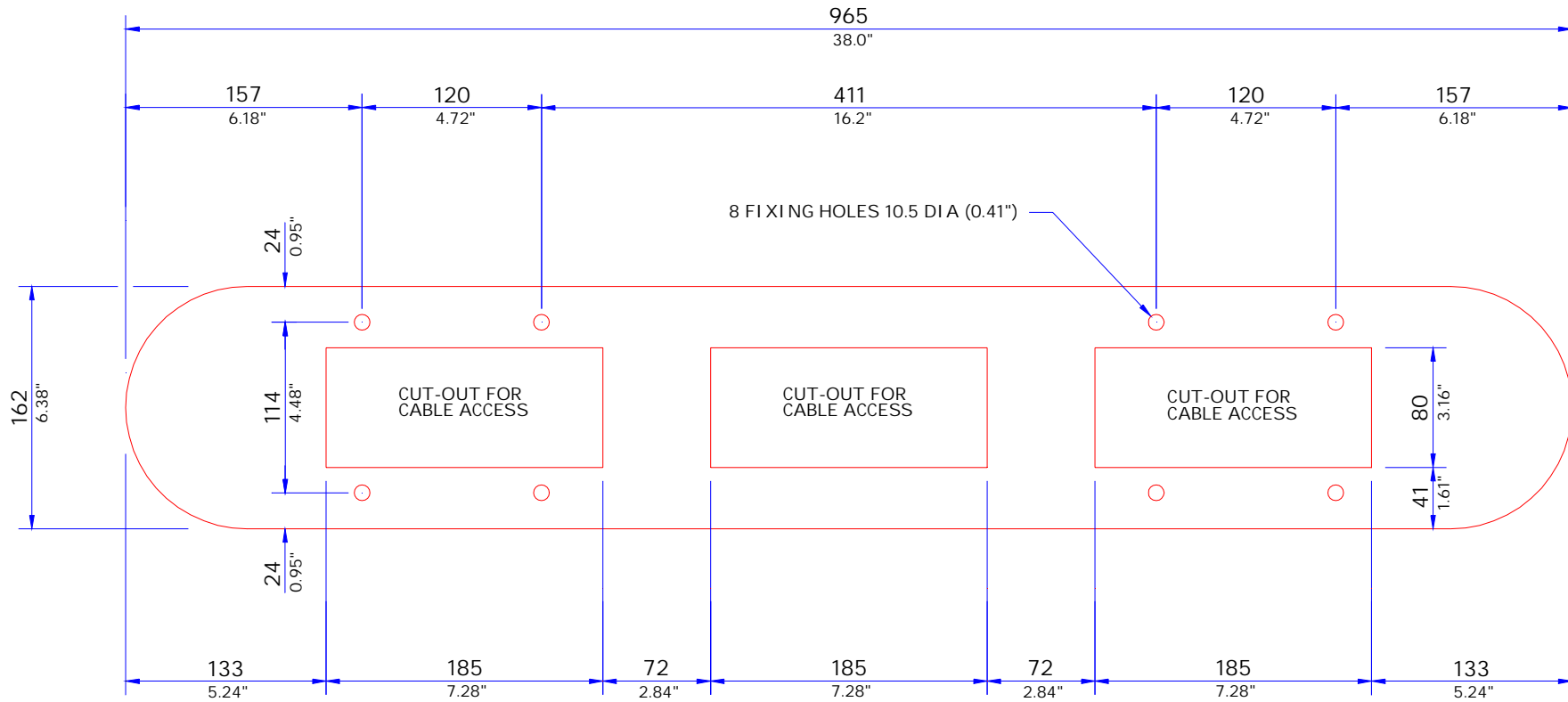




We recommend that users are outside the mouth of the lane when they present their cards. If they enter the mouth of the lane before they are authorized, they may trigger the Fastlane Plus pre-alarm, and cause the barrier arms to be raised. As soon as the person is authorized, the barrier arms will retract, however, this may slow down the lane throughput.

PRODUCT: FASTLANE R400 OT	
TITLE: CARD READER LOCATION OPTIONS	
DRAWN: RST	DRAWING No: S665_94_A0
DATE: 13.6.03	This document is the copyright of Integrated Design Ltd





NOTE: UNIT IS TO BE SECURED TO THE FLOOR USING 10mm (0.39") DIA FIXINGS SUITABLE FOR THE FLOOR STRUCTURE.

PRODUCT: FASTLANE R400 OT

TITLE: BASE DRILLING TEMPLATE

DRAWN: RST

DRAWING No: S665_95_A0

DATE: 13.6.03

This document is the copyright of
Integrated Design Ltd



ACCESS CONTROL SYSTEM

- * CARD READER
- ACCESS CONTROL
- ACCESS CONTROL
- * CARD READER
- * CARD READER
- * CARD READER

TRANSMIT ENCLOSURE

INTERLANE ENCLOSURE

RECEIVE ENCLOSURE

ACCESS CONTROL - 10 CORE
 IP> 'DOOR OPEN' ENTRY
 IP< 'DOOR OPEN' EXIT
 ENT> 'DOOR CLOSED' ENTRY
 ENT< 'DOOR OPEN' EXIT
 ALR ALARM O/P

* CARD READER CABLING DEPENDENT ON READER MANUFACTURER'S SPECIFICATIONS.

SWITCHED FUSED SPUR

FASTPOWER 12V 2.5A

2 CORE

2 CORE

2 CORE

CAT. 5 CABLE (3 MTRS SUPPLIED) (10')

CAT. 5 CABLE (3 MTRS SUPPLIED) (10')

8 CORE + SCREEN

8 CORE + SCREEN

DESK MOUNTED REMOTE CONTROL

DESK MOUNTED REMOTE CONTROL

PRODUCT: FASTLANE R400 OT

TITLE: CABLING REQUIREMENTS

DRAWN: RST

DRAWING No: S665_97_A0

DATE: 13.6.03

This document is the copyright of Integrated Design Ltd

